

DIFFERENTIAL PRESSURE GAUGES WITH BOURDON TUBE

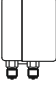


Diameter 160 with electrical contacts available

The pressure gauges are suitable for measuring of liquid and gaseous media, although this should not be too viscous or be susceptible to crystallization.

Differential pressure gauges with 2 bourdon tubes are low-priced instruments for measuring of 2 different pressures with directly displaying of difference pressures.

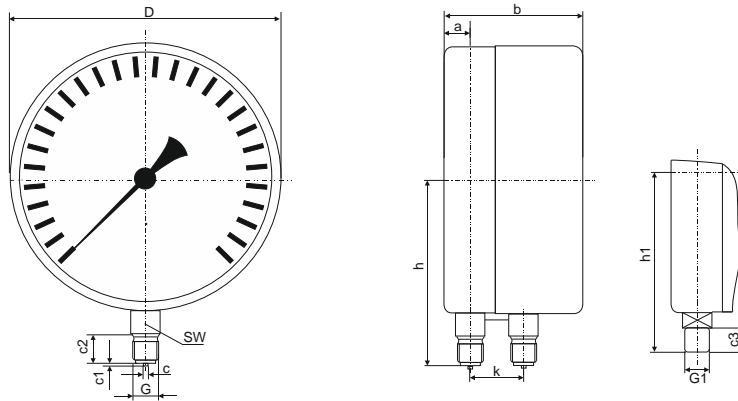


Type	5637	5638	Options												
Diameter	160	160													
Symbol			Ø100, Connect. Ms = 5639 Ø100, Connect. VA = 5640 with electrical contacts												
Accuracy class	1,6														
Ranges	0...1 bar up to 0...600 bar														
max. stat. pressure	<table border="1"> <thead> <tr> <th>Measuring range</th> <th>max. stat. pressure</th> </tr> </thead> <tbody> <tr> <td>0...1 bar</td> <td>1,6 bar</td> </tr> <tr> <td>0...1,6 bar</td> <td>4 bar</td> </tr> <tr> <td>0...2,5 bar</td> <td>10 bar</td> </tr> <tr> <td>0...4 bar</td> <td>16 bar</td> </tr> <tr> <td>0...6 bar</td> <td>16 bar</td> </tr> </tbody> </table>	Measuring range	max. stat. pressure	0...1 bar	1,6 bar	0...1,6 bar	4 bar	0...2,5 bar	10 bar	0...4 bar	16 bar	0...6 bar	16 bar	others on request	
Measuring range	max. stat. pressure														
0...1 bar	1,6 bar														
0...1,6 bar	4 bar														
0...2,5 bar	10 bar														
0...4 bar	16 bar														
0...6 bar	16 bar														
max. stat. pressure	1 pressure level higher than display area (only 5639, 5640)														
Application	Constant load: up to the end of scale value Alternating load: up to 0,9-x of scale value														
Case	Stainless steel	Stainless steel, bayonet ring	Glycerine filling												
Ring	Stainless steel														
Window	Glass	Safety glass													
Dial	Al white, scale and printing black														
Pointer	Al black														
Movement	Brass / nickel silver														
Measuring element	<ul style="list-style-type: none"> • up to 40 bar Cu-alloy bourdon tube, soft solder • > 40 bar stainless steel 1.4571 helical spring, hard solder 	Stainless steel	Monel												
Pressure connect.	CuZn-alloy	Stainless steel 1.4571													
Connection position	radial bottom, parallel (one behind the other)														
Thread	2x G 1/2 B, 2x M20x1,5		others on request												
Temperatures	Medium: -20° C up to 60° C ambient: -20° C up to 60° C		Medium max. 100°C (hard solder)												
Temperature drift	0,4% at 10° C deviation of normal temperature 20°C														
Protection	IP43 acc. to EN 60529/IEC 529	IP 56	IP 65												
Orifice	Ø 0,4; Ø 0,8														
Approx. Weight	1,1 kg	1,5 kg													

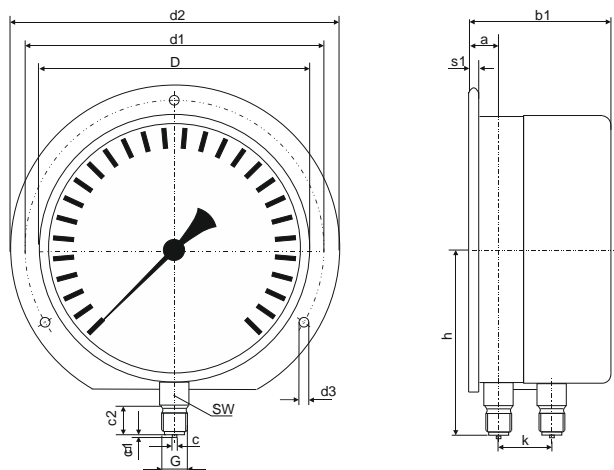
Dimensioned drawing

Dimensions in mm

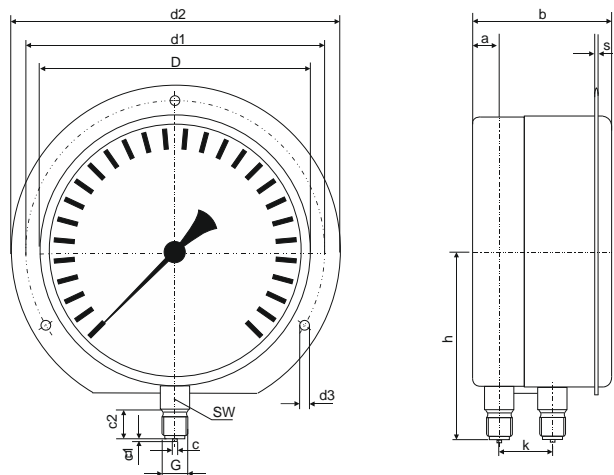
ND	a	a1	b	b1	c	c1	c2	c3	D	d1	d2	d3	G	G1	h ±1	h1 ±1	k	SW	s	s1	s2	s3
100	15	19	83	86	6	3	20	19	101	116	132	4,8	G1/2B M20x1,5	1/2" NPT	87	86	32	22	2	6	6	1,5
160	33	37	104	107	6	3	20	19	161	178	196	5,8			117	116	32	22	2	6	6	1,5



Connection bottom, parallel (one behind the other)



Connection bottom, parallel (one behind the other), flange back



Connection bottom, parallel (one behind the other), front flange