

HEAVY DUTY PRESSURE GAUGES WITH CAPSULE ELEMENT ACCORDING TO DIN EN 837-3



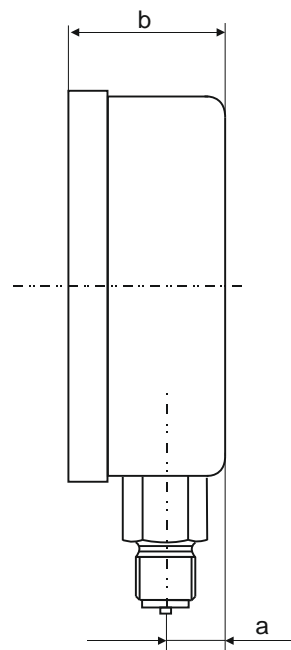
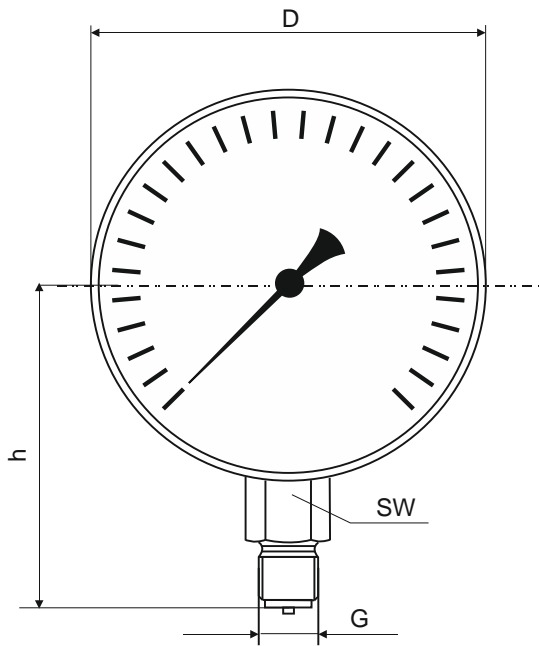
Diameter 63
Connection position radial bottom
or centric back



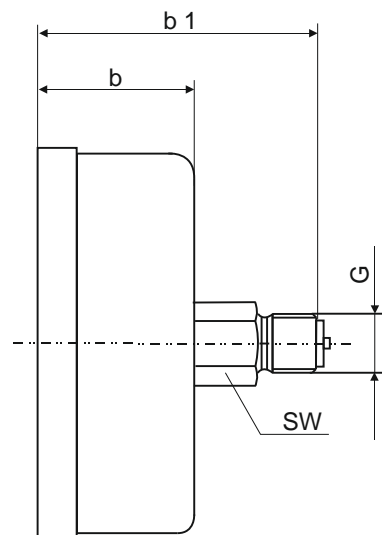
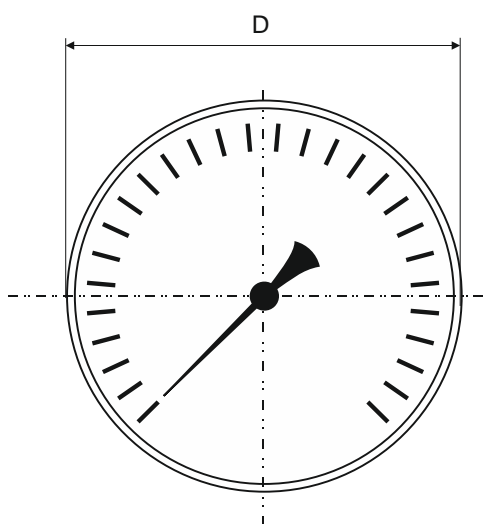
To measure small positive/negative pressures in gaseous, dry and non-aggressive media.

Type	5531	5541	Options
Diameter	63		
Symbol			with glycerine filling from 160 mbar
Accuracy class	1,6		
Ranges	0...25 mbar up to 0...600 mbar negative and/or positive overpressure		kPa
Application	Constant load: up to the end of scale value Alternating load: up to 0,9 x end of scale value Short time: 1,3 x overload capacity		Overload protection up to 10x end of scale value
Case	Stainless steel		
Ring	without		Triangular front ring
Window	Plexiglass		
Dial	Al white, scale and printing black		Dual scale
Pointer	Al black		Marker pointer
Movement	CuZn-alloy, with zero point adjustment		
Measuring element	Cu-alloy		
Pressure connection	CuZn-alloy		
Connection position	radial bottom	centric back	
Thread	G 1/4 B, M12x1,5		others on request
Temperatures	Medium: -20°C up to 80°C, ambient: -20°C up to 60°C		
Temperature drift	0,3%/10K deviation of normal temperature 20°C		
Protection	IP 43 acc. to EN 60529/IEC 529		
Orifice			Ø 0,3, Ø 0,4, Ø 0,8
Approx. Weight	0,3 kg	0,3 kg	

Type	Dimensions in mm							
	ND	a	b	b1	D	G	h	sw
5531	63	10	35	-	62	G 1/4 B	53	14
5541	63	-	35	58	62	G 1/4 B	-	14



Type 5531



Type 5541