



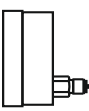
BOURDON TUBE PRESSURE GAUGE IN CHEMICAL EXECUTION WITH OR WITHOUT FILLING ACCORDING TO EN 837-1



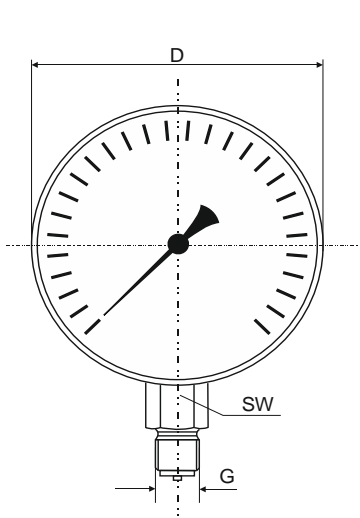
Diameter 100
Connection position radial bottom
or eccentric back
ATEX CE  II 2 GD c IIC T6



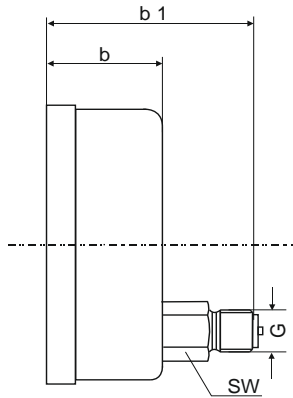
For pressure measuring at harsh application conditions in production plants for chemical industry and other comparably industrial lines.
In execution with glycerine filling in case the measuring system would be protect at pulsation pressure and mechanical vibration against attrition.

Type	6325	6329	Options
Diameter	100		
Symbol	fillable		liquid filling silicone oil
			
Accuracy class	1,0 according to EN 837-1		cl. 0,5
Ranges	0...0,6 up to 0...1600 bar, neg. or pos. overpressure		MPa, kPa
Applications	Constant load: up to end of scale value Alternating load: up to 0,9-fold end of scale value Short time: 1,3-fold overload capacity		1,5- up to 2-fold
Case	Stainless steel, 1.4301 (with blow-out plug)		
Ring	Stainless steel, 1.4301, bayonet		rear or front flange bow-fixing
Window	Laminated safety glass		
Dial	Al white, scale and printing black		
Pointer	Al black		Marker pointer max. indicator
Movement	Stainless steel		
Measuring element	Stainless steel 316L (C-bourdon tube up to 40 bar, helical spring from 60 bar)		Monel
Pressure connection	Stainless steel 316L		Monel
Connection position	radial bottom	eccentric back	
Thread	G 1/2 B, M20x1,5, 1/2 NPT		others on request
Temperatures	Medium: -20°C up to 100°C, ambient: -25°C up to 60°C		up to 200°C
Protection	IP 54 (unfilled IP 65) acc. to EN 60529/IEC 529		
Orifice			Ø 0,4; Ø 0,8
Approx. weight	0,6 kg	0,6 kg	

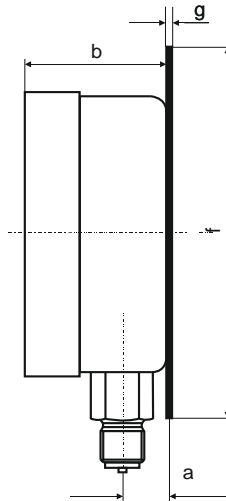
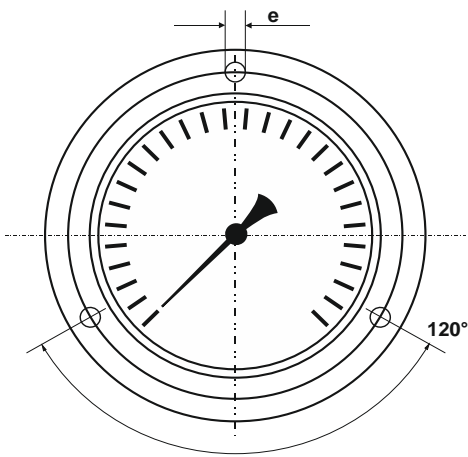
Type	Dimensions in mm										
	NG	a	b	b1	D	G	e	f	g	h	SW
6325	100	15	49	-	101	G 1/2 B	4,8	132	2	6	22
6329	100	-	49	85,5	101	G 1/2 B	4,8	132	2	6	22



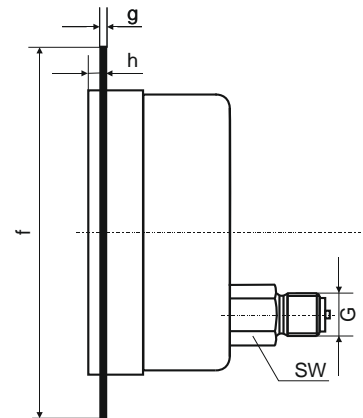
Type 6325



Type 6329



rear flange



front flange