

# BOURDON TUBE PRESSURE GAUGES HIGH-TEMPERATURE 300°C CHEMICAL EXECUTION ACCORDING TO EN 837-1


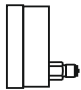


**Diameter 63 / 100 / 160**  
**Connection position radial bottom**  
**or eccentric back**

For pressure measuring at harsh application conditions in production plants for chemical industry and other comparably industrial lines.

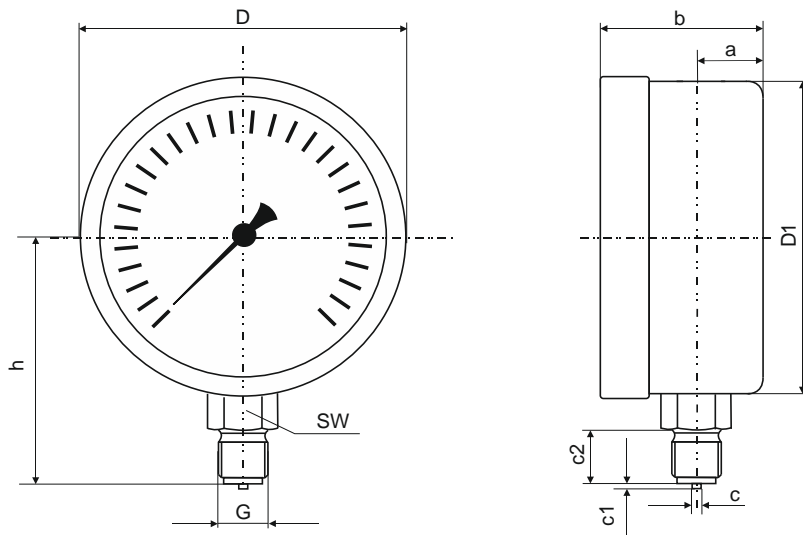
Due to the use at high media temperatures is not possible to fill in these devices.



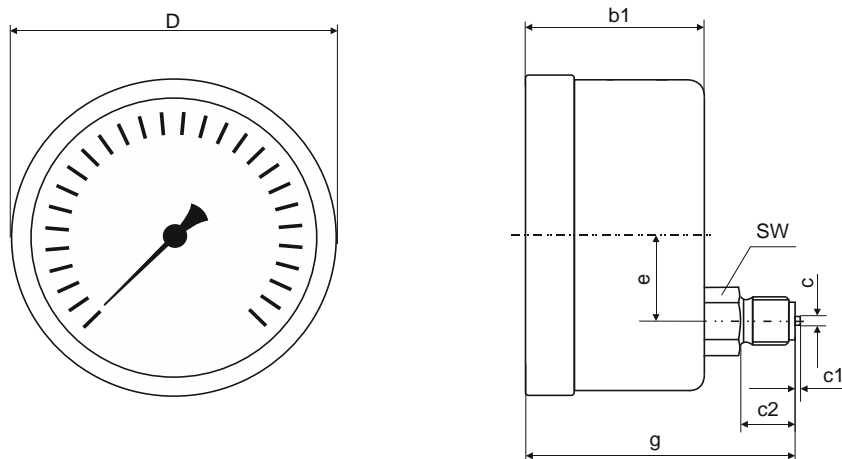
Type	6322	6324	6315	Options
Diameter	63	100	160	
Medium temperature	up to 300°C			
Symbol				Connection back: Type 6323 - ND 63 Type 6328 - ND 100 Type 6317 - ND 160 
Accuracy class	1,6 (2,5 from 600 bar)	1,0		
Ranges	0,6 bar ... 1000 bar	0,6 ... 1600 bar negative or positive overpressure		
Applications	Constant load: up to end of scale value Alternating load: up to 0,9-fold end of scale value Short time: 1,3-fold overload capacity		1,5- up to 2-fold	
Case	Stainless steel, 1.4301 (with blow out plug)			
Ring	Stainless steel, 1.4301, bayonet		rear or front flange bow-fixing	
Window	Laminated safety glass			
Dial	Al white, scale and printing black			
Pointer	Al black		max. indicator marker pointer	
Movement	Stainless steel			
Measuring element	Stainless steel, 1.4571 (C-bourdon tube up to 40 bar, helical spring from 60 bar)			
Thread	G 1/4 B, M12x1,5	G 1/2 B, M20x1,5	G 1/2	
Pressure connection	Stainless steel, 1.4571			
Connection position	radial bottom			
Temperatures	Ambient: -25°C bis +60°C			
Protection	IP54 according to nach EN 60529/IEC 529			
Approx. weight	0,18 kg	0,6 kg	1,1 kg	

**Dimensioned drawing**

Type	Dimensions in mm													
	ND	a	b	b1	c	c1	c2	D	D1	e	g	h	SW	G
6322	63	10	33		5	2	13	64	62			54	14	G1/4 od. M12x1,5
6323	63			37	5	2	13	64	62	18	59		14	G1/4 od. M12x1,5
6324	100	20	55		6	3	20	101	99			87	22	G1/2 od. M20x1,5
6328	100			55	6	3	20	101	99	30	97		22	G1/2 od. M20x1,5
6315	160	15	50		6	3	20	161	159			115	22	G1/2 od. M20x1,5
6317	160			55	6	3	20	161	159	30	92,5		22	G1/2 od. M20x1,5



**Type 6322, 6324, 6315**



**Type 6323, 6328, 6317**