

**Pressure gauges with bourdon tube
for chemical industry with and
without glycerine filling
according to EN 837-1**



Diameter 63
Connection position radial bottom
or back eccentric



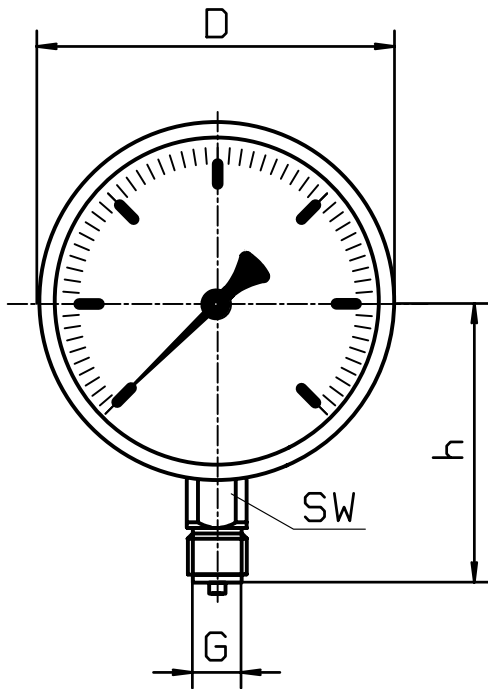
These all stainless steel pressure gauges are designed for harsh conditions and to meet the stringent demands of pressure measurement in production plants of the chemical industry and in other comparable industrial sectors. The use of high quality materials such as stainless steel, both for the measuring system and case, provides resistance to aggressive media and environments. The glycerine filling provides smooth pointer motion, thus ensuring an accurate reading even under extreme load and strong vibration conditions.

Types	6030	6031	6032	6033	Options
Diameter	63				"low-cost"-version
Symbol					fillable radial BR 6035 back, centric BR 6036 from 1 bar up to 40 bar
Accuracy class	1,6 (above 600 bar class 2,5)				
Ranges	0...1,0 up to 0...1000 bar, negative or positive overpressure				MPa, kPa
Applications	constant load: 3/4 x end of scale value alternating load: 2/3 x end of scale value short time: end of scale value				
Case	stainless steel, 1.4301				
Ring	stainless steel 1.4301, Bayoneting polished				rear or front flange bow fixing
Window	multi-composite laminate safety glass				
Dial	Al white, Scale and printing black				
Pointer	Al black				max.indicator/marker pointer
Movement	stainless steel				
Measuring element	stainless steel 1.4571(C-Bourdon tube 40 bar, helical tube above 60 bar)				
Pressure connection	stainless steel 1.4571				
Pressure position	radial bottom	eccentric back	radial bottom	eccentric back	centric back
Pressure thread	G 1/4 B, M12x1,5				others on request
Temperatures	Medium: -20°C up to 100°C, ambient -25°C up to 60°C				300°C
Protection	IP 54 acc. to EN 60529/IEC 529		IP 65 acc. to EN 60529/IEC 529		
Orifice					dmr. 0,4; dmr. 0,8
Approx. Weight	0,18 kg	0,18 kg	0,25 kg	0,25 kg	

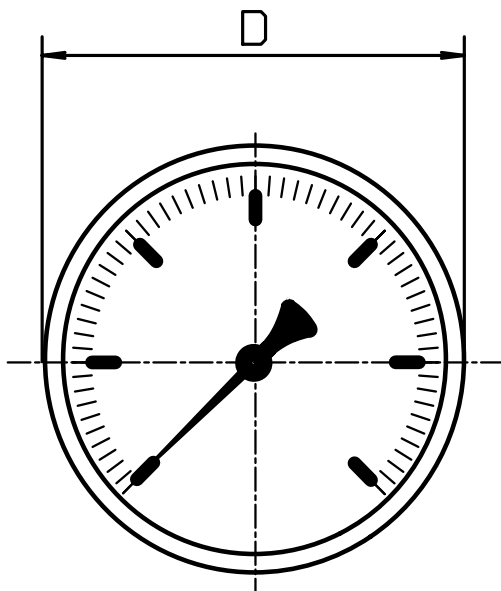
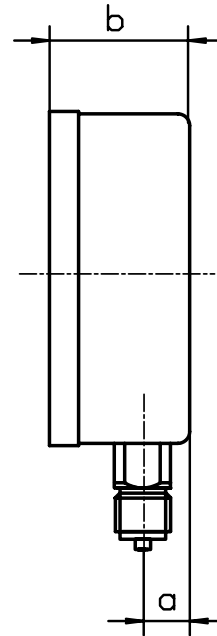
Types 6030, 6031, 6032, 6033, 6035, 6036

Types	Dimensions in mm							
	NG	a	b	b1	D	G	h	SW
6030	63	10	31	-	63*	G 1/4 B	55	14
6031	63	-	31	60	63*	G 1/4 B	-	14
6032	63	10	31	-	63*	G 1/4 B	55	14
6033	63	-	31	60	63*	G 1/4 B	-	14

* american type = 68 mm



Types 6030, 6032



Types 6031, 6033

