

# DIFFERENTIAL PRESSURE GAUGES WITH DIAPHRAGM FOR CHEMICAL INDUSTRY



Diameter 100, 160

with or without damping  
with or without electrical alarm contacts

with ATEX-license



## Description

Differential pressure gauges are ideal for the hard conditions and the resulting high demands on pressure measurement in production facilities in chemical industry and other similar branches.

By using high-quality materials such as stainless steel makes the measuring system and the case resistant against chemical aggressive media and ambient.

Depending on the applications, the gauges can be supplied with filling liquid. The fill fluid protects the measuring system through pulsating pressures and mechanical vibrations against wear occurs.

Differential pressure gauges with electrical alarm contacts are suitable for controlling and regulating process sequences by using the given process pressure .

## Features

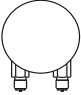
- Measuring chamber and case of corrosion resistant materials, stainless steel
- Static pressure up to 400 bar
- Limit switch contact or current output signal
- vibration-free display and longer life by liquid filling

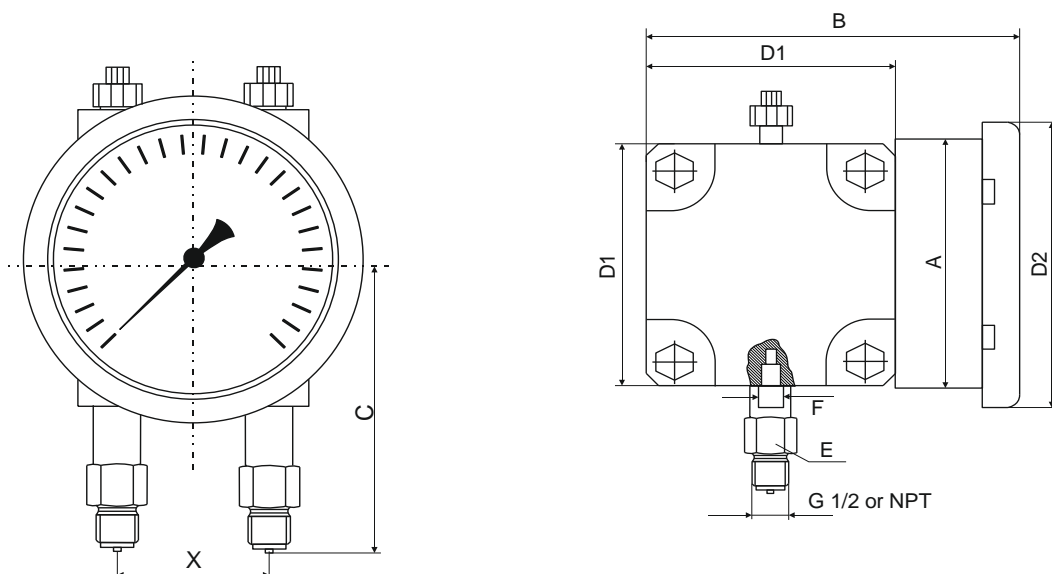
## Ranges

0 ... 2,5 mbar up to 0 ... 25 bar

## Applications

Level measuring pressurized container  
Filter monitoring  
Flow measurement

Type	5670	5675	5671	5677	5673	5678	Options
Diameter	100	160	100	160	100	160	
Symbol							
Type of contact / electrical output	none		Magnatic snap action		Inductive		
Numbers of contact	none		1-2		1-2		
Accuracy class	1,6 acc. to DIN EN 837-3						
Ranges	25 mbar ...25 bar						mbar, bar, kPa, kg/cm <sup>2</sup> , psi
Version	25 mbar - 100 mbar 160 mbar - 25 bar			stat. pressure 25 bar stat. pressure 100 bar		100 bar, 250 bar, 400 bar	
Case	Stainless steel, AISI 304 bright						AISI 316, liquid filling
Ring	Stainless steel, AISI 304 bayonet ring						rear or front mounting, pipe mounting
Window	Glass (unfilled version) Methacrylat (filled version)						lamineted safety glass
Dial	Al. black, microadjustable pointer						red mark, serial number customer logo
Movement	Stainless steel, 1.4301						
Measuring element	Stainless steel, 1.4571						
Sealing	NBR, FPM						
Pressure connect. - position - thread	radial bottom 2 x G1/4 i						G1/2B ; 1/2 NPT
Medium temperature	T <sub>min.</sub> -30°C, T <sub>max.</sub> 60°C						
Ambient temperature	T <sub>min.</sub> -20°C, T <sub>max.</sub> 60°C						
Protection	IP 55						IP 65



ND	A	B	C	D1	D2	E	F	X	Weight kg
100	103	150	112	100	118	22	1/4	54	4,8
160	150	150	112	100	166	22	1/4	54	5,0

Dimensions in mm