

DIFFERENTIAL PRESSURE GAUGES WITH PRESSURE SPRING AND MEMBRANE SEAL




Diameter 100
with or without microswitch
with or without static pressure display

*Also available with analogue output signal 0...20 mA
or 4...20 mA and LCD-display*

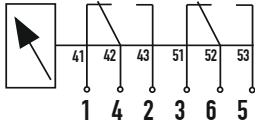
The pressure gauges are suitable for measuring of liquid and gaseous media, although this should not be too viscous or be susceptible to crystallization. Differential pressure gauges with electrical microswitches suitable for control and regulate the processes with the help of the process pressure. The gauges are overload-protected and useable up to a static pressure of 25 bar.



Type	5590	5591	Options
Diameter	100	100	
Symbol			with LCD-display with current exit 0...20, 4...20 mA = Type 5593
Type of contact	without	Microswitch	
Number of contact	without	1-2	
Electrical connection	without	right side PG 13,5	PG 11 with cable 1m
Accuracy class	2,5 % full scale value (working pressure 4%)		1,6%
Ranges	0...250 mbar up to 0...25 bar		separate working pressure dial
Overload protection	max. 25 bar (one side, on both sides, reciprocal)		
Applications	Constant load: up to full scale value Alternating load: up to 0,9 x full scale value		
Case	Aluminium, black		
Ring	without		front flange
Window	Plastic, plexiglass		
Dial	Al white, scale and printing black		
Pointer	Micro-Pointer, adjustable pointer, Al, black		
Movement	Copper-alloy		
Medium chamber (wetted parts)	GD-AISI 12 (Cu) material number 3.2982 black		HART-COAT or stainless steel
Measuring element (wetted parts)	Pressure spring, stainless steel 1.4301 Membrane, Perbunan (NBR)		
Connections position	radial bottom, parallel (one behind the other)		
Thread	2 x G 1/2 B, 2 x G 1/4 I or 2x ring screw in for pipe Ø 6 or 8 mm		others on request
Temperatures	Medium: max. 90°C, ambient: -10°C up to 70°C		
Temperature drift	0,5%/10K deviation of normal temperature. 20°C		
Protection	IP54 acc. to EN 60529/IEC 529		IP 65

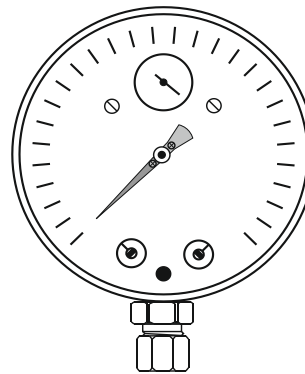
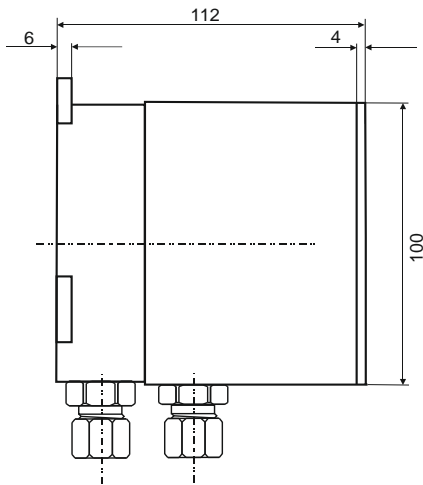
Installation Note: Mounting for attached symbols: (+) high pressure (-) low pressure.
It is mounted via rigid lead or wall mounting (mounting bracket on the case).

Type 5591 - version with microswitch (single- and/or two times changer)

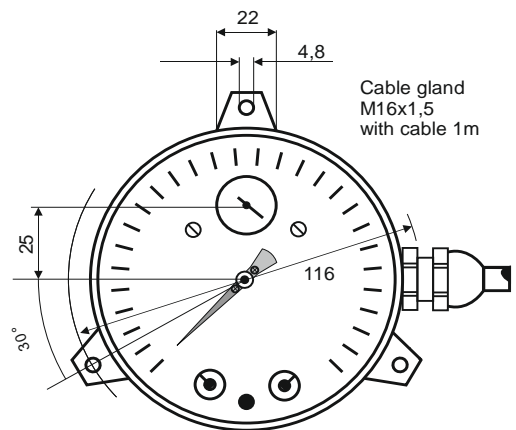
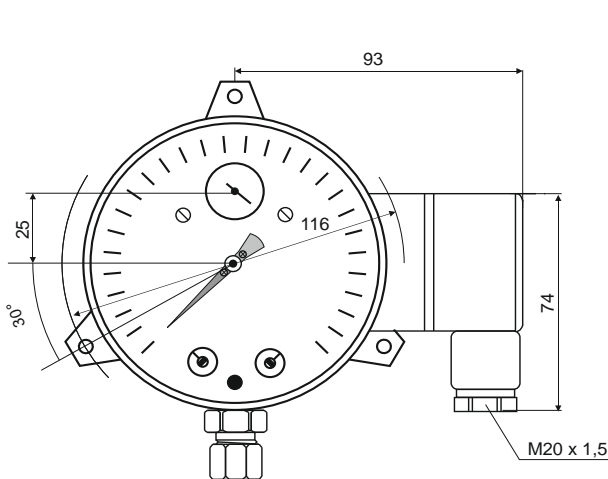
Electrical connection	Electrical details	Change voltage	Direct voltage
 <p>contactfunktion 5.3.3</p>	U max	250 V	30 V
	I max	5 A	0,4 A
	P max.	250 VA	10 W
	Reproduceable $\leq 1,6\%$	Contact function: 1 x - changer 5.3 2x - changer 5.3.3	
	switched hysteresis max. 5% at the end of scale value		
adjustment range: 10%...100% at the end of the scale value			

Dimensioned drawing

Dimensions in mm



Available with thread **G 1/2 B** or **Ermeto-pipe-screw in** for 6- or 8 mm pipe



Type 5591 with cable box PG 13,5